

LF guideway connectors

for LF guideways



Rapid and precise joining

High traverse speeds on LF guideways place high demands on the precise alignment of the guideway joints.

With the new LF guideway connectors, the costly and time-consuming alignment operation can be made considerably easier.

The guideways to be joined:

- are fitted with LF guideway connectors
- are aligned approximately by hand
- are run over a few times by the carriage
- are tightened up.

Based on the running noise, the alignment can be checked quickly and easily.

Optimum alignment of the guideway joint extends the operating life of the guidance system and gives high operational reliability.

LF guideway connectors are accessories for curved and straight LF guideways.

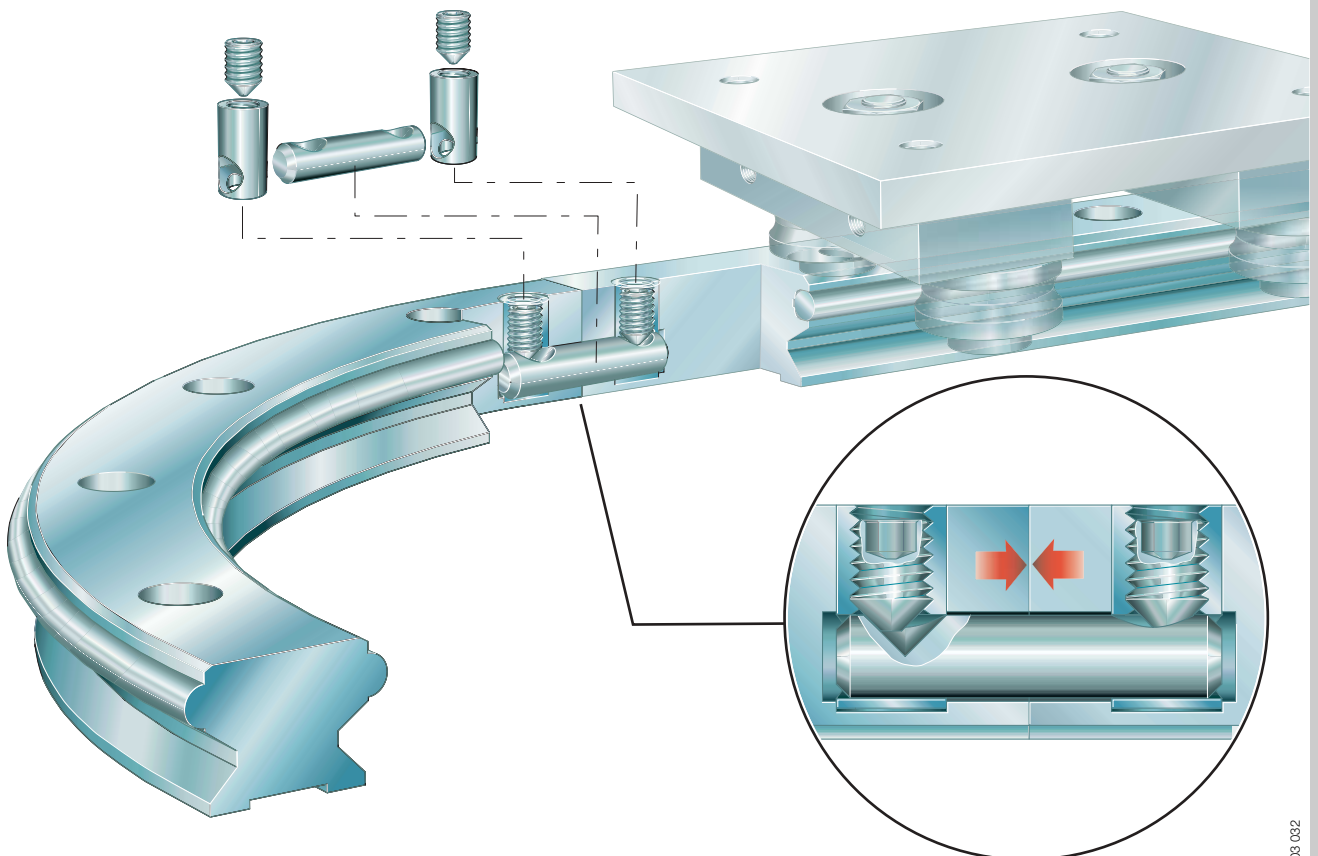
They consist of:

- pins
- bushes
- grub screws.

The guideway connectors are suitable for all solid profile LF guideways and are available in two sizes.

Curved guideways are supplied with the guideway connector as standard.

Straight guideways for joining can be supplied with the guideway connector as an option.



203 032

LF guideway connectors



Features

LF guideways are composite guideways comprising a support rail made from anodised aluminium and rolled-in raceway shafts made from steel. The raceway shafts are hardened and ground.

All solid profile LF guideways (not hollow section types) can be joined by means of LF guideway connectors after appropriate machining, see *dimension table*, page 3.

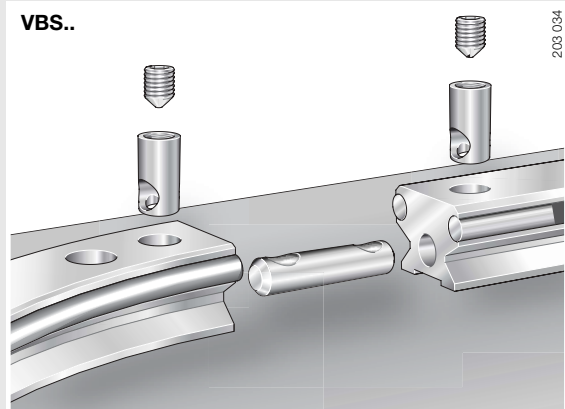
LF guideway connectors

- are accessories for LF guideways
- consist of:
 - pins
 - bushes
 - grub screws
- are used for joining
 - one straight LF guideway to another straight LF guideway
 - one straight LF guideway to a curved LF guideway
 - one curved LF guideway to another curved LF guideway
- allow rapid, simple joining of LF guideways
- reduce running noise at the joint transition
- increase the operating life of the guidance system
- ensure high operational reliability.



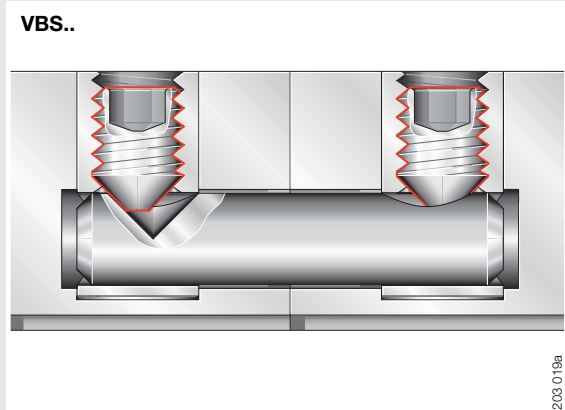
Further information on LF guideways is given in *INA Catalogue "801"*.

Components of LF guideway connectors



- for straight and curved LF guideways
- all components made from corrosion-resistant steel
- suitable for LF guideways

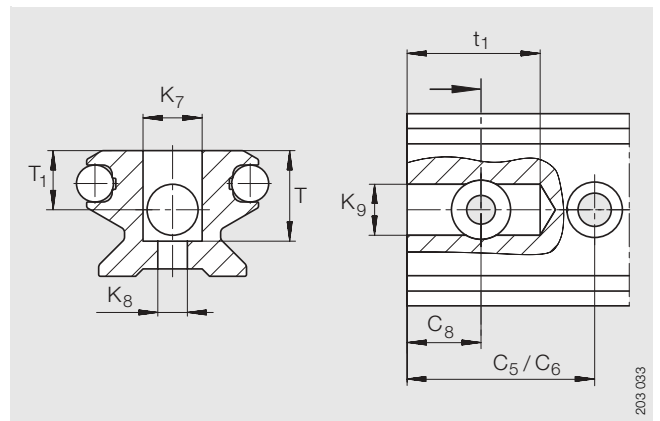
LF guideway connectors fitted



- LF guideway connectors
 - guideways aligned
 - grub screws screwed in to identical depth

LF guideway connectors

Series VBS..



VBS..

Dimension table - Dimensions in mm

Designation	Mounting dimensions ¹⁾							
	T	T ₁	t ₁	C ₅ /C ₆	C ₈	K ₇	K ₈	K ₉
VBS 32	16,5	10 ±0,1	25 +0,5	30 min.	15 ±0,1	12 +0,2	6,5	9 +0,5
VBS 52	30	22	30	40	20	16	8	13

¹⁾ Further data such as guideway mass, etc. are given in *INA Catalogue "801"*.



INA-Schaeffler KG

Linear Technology Division
66406 Homburg (Saar) · Germany

Internet www.ina.com

E-Mail info.linear@de.ina.com

In Germany:

Telephone 0180/5 00 38 72

Fax 0180/5 00 38 73

From other countries:

Telephone +49/68 41/7 01-0

Fax +49/68 41/7 01-6 25